



NORDFAB

Ducting

QUICK-FIT
Clamp-Together Ducting



Industries using Quick Fit include:

- Woodworking
- Furniture
- Boatbuilding
- Metalworking
- Concrete
- Recycling
- Plastics
- Textiles
- Mining
- Powder, Bulk and Solids
- Food Processing
- Agriculture
- Automotive
- Paper
- Condensation control

Materials conveyed include:

- Agricultural dusts
- Carbon dust
- Cardboard trim
- Chemical solids
- Chemical fumes
- Concrete dust
- Condensation
- Cutting fluid mists
- Diaper fluff
- Flour
- Food dusts
- Food products
- Fume exhausts
- Metal dusts or shavings
- Milk powder
- Oil mists
- Oven exhausts
- Paint products
- Paper
- Petrochemicals
- Pharmaceuticals
- Plastic dusts
- Salt
- Smoke
- Spices
- Sugar
- Textile dusts and streamers
- Vehicle exhausts
- Welding fumes
- Wood dusts

THE WORLD'S FASTEST DUCTING

- **Easy & fast to install**
Just clamp together, no rivets, screws or welding needed
Cuts installation and downtime by more than 45%
- **Ideal for dust, mist and fume collection**
- **Adaptable to your existing ductwork**
- **Leak-tight laser welded seams**
Smooth, fully welded seams prevent leaks, snags, and possible "bug harbors"
- **Easy Clean-Outs**
Easy to remove, clean-out and reinstall - without tools
- **Re-useable**
Easy to modify or move as your needs change
- **Available in Galvanized, Stainless Steel, and Aluminum**
- **Nordfab provides:**
quick delivery, order tracking, and lower freight costs

Nordfab Ducting is available from this distributor:

DYNACOM, Inc.

16711 Hilltop Park Place
Chagrin Falls, OH 44023

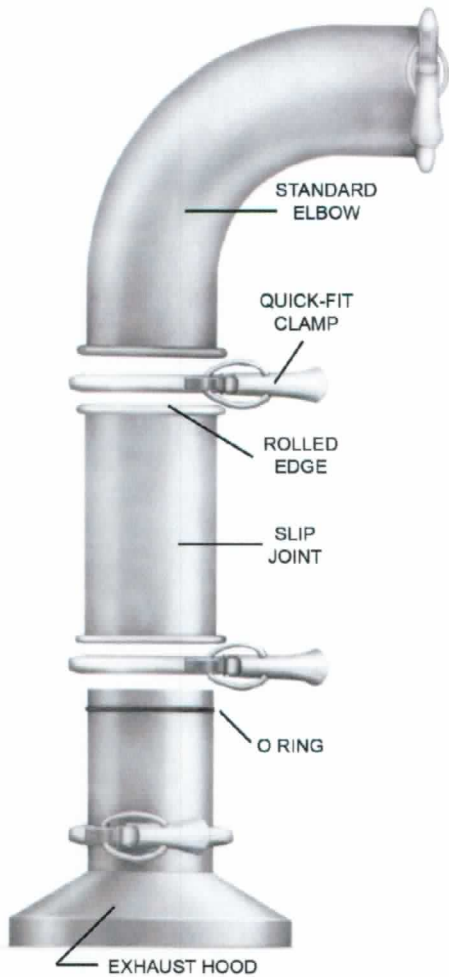
Tel: 440-543-1900

Fax: 440-543-9390

www.dynacomonline.com

Nordfab Ducting is the world's largest manufacturer of clamp-together ducting and has manufacturing plants in both Eastern & Western US to serve you quickly.





THE WORLD'S FASTEST DUCTING ... is also the Easiest to Install

No costly or time consuming joining methods

Quick-Fit (Q-F) ducting requires no complicated cutting, riveting, braising or welding. One Q-F clamp connects two sections together in seconds. Straight pipe, branches, diverters, elbows - all can adapt easily to your existing duct and may be taken apart, cleaned and re-used without special tools.

Easy to install, and it's strong!

Q-F installs in half the time of traditional ducting. The extraordinary strength of Q-F's specially machined rolled edges, combined with the patented Q-F clamp, provides a strong, solid, straight and safe run. No special instructions or skills are needed to install a new system or easily adapt Q-F to work with your existing duct system.

Connect to the old or bring in the new

Install new system or you can easily adapt Q-F to work with an existing system.

Quick-Fit has everything you need:

- LASER WELDED pipe in diameters from 4" to 24"
- Branch fittings in all shapes and sizes
- Elbows - 30°, 45°, 60°, 90°
- Larger custom sizes and special adapters
- Blast Gates, Diverter Valves, Hoods, Manifolds, Sliding Access Panels and more

Save time and money

Q-F allows manufacturers to make changes to their ducting systems quickly, often using their regular plant maintenance workers. With manufacturing on the East and West coasts, most Q-F orders can be delivered in as little as 4 days.

Quick-Fit Advantages Over Traditional Spiral or Flanged Duct Systems

Across the globe, thousands of manufacturers replace standard flanged ducting with Nordfab's Quick-Fit (Q-F) clamp-together ducting. Quick-Fit (Q-F) installs in about half the time of flanged ducting, reducing downtime for: installation, any floor plan changes and maintenance.

Quick-Fit Ducting Installation - Just clamp together



Spiral and Flange Ducting Installation - Screw together with 8 bolts and nuts



3 bolts down and still 5 more to go...

Nordfab Ducting is available from this distributor:



DYNACOM, Inc.

16711 Hilltop Park Place
Chagrin Falls, OH 44023

Tel: 440-543-1900

Fax: 440-543-9390

www.dynacomonline.com