

WELDPACK

by A.C.T. DUST COLLECTORS

Model: ACT WeldPack 4

CAPACITY RANGE

Air-to-cloth Ratio

2:1

CFM

2,000

A.C.T. Dust Collectors is proud to offer a dust collector designed specifically for the robotic industry. Introducing the ACT WeldPack 4. Unique, heavy duty, effective, in a plug-and-play package, complete with integrated cyclonic spark trap on the inlet of the dust collector. The unit also features an integrated motor/blower that is surrounded with noise attenuation material for quiet operation. The controls are mounted on the side of the collector and prewired for easy, on site hook up. An optional remote start feature is available to start the WeldPack from the robotic weld cell. The dust drawer base makes for easy handling and disposal of the collected dust. All of this is available in a quality package that A.C.T. Dust Collectors has built its reputation on.

Model: ACT WeldPack 4

Standard Features:

Four A.C.T. Nano-Elite Nanofiber Cartridges

1,016 Sq. Ft. Filter Media

5HP 230/460v/3ph/60hz

Venturi-Assisted Pulse Filter Cleaning System

Control Box w/Digital Timer in NEMA 12

ACTion-Lock Quick Release Filter Doors

Stainless Steel Filter Door Components

Side Inlet into Integrated Spark Trap

Fully Welded Steel Construction

Primed Interior

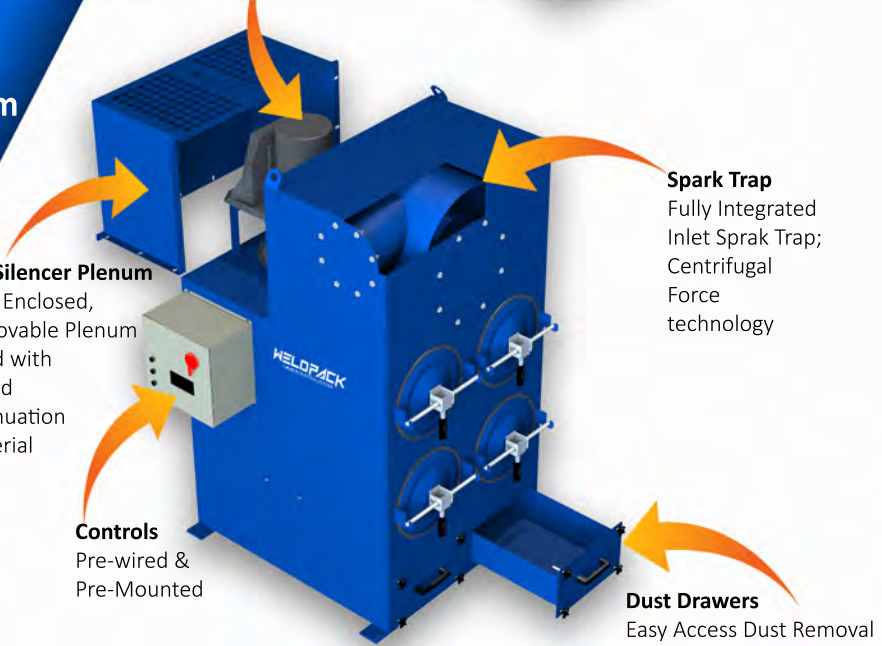
Multi-Coat Paint Finish

Dust Drawers

5-Year Warranty



Integrated Fan
2000CFM@10SP



Fan Silencer Plenum
Fully Enclosed,
Removable Plenum
Lined with
Sound
Attenuation
Material

Spark Trap
Fully Integrated
Inlet Sprak Trap;
Centrifugal
Force
technology

Controls
Pre-wired &
Pre-Mounted

Dust Drawers
Easy Access Dust Removal

HEIGHT	WIDTH	DEPTH	# OF FILTERS	FILTER AREA
85"	42"	58"	4	1,016



View the entire product line at www.actdustcollectors.com

13310 Industrial Park Blvd.
Suite 195
Minneapolis, MN 55441
P: 763-557-7162
F: 763-557-9731
Toll Free: 800-422-1316
actdustcollectors.com

Central System
Cartridge
Collectors

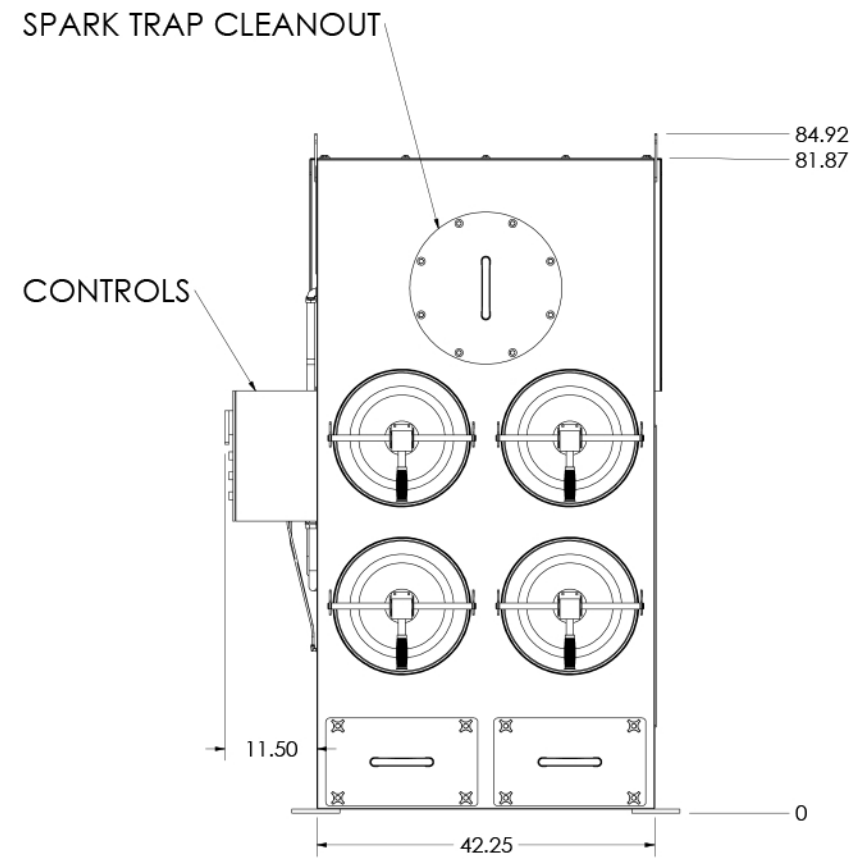
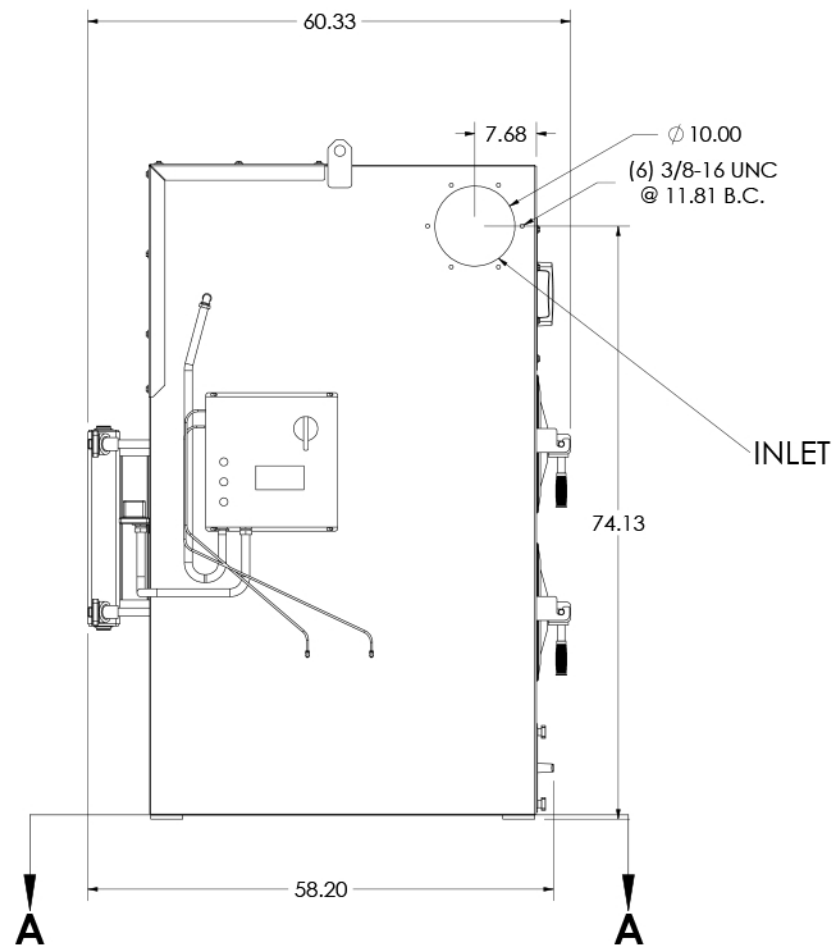
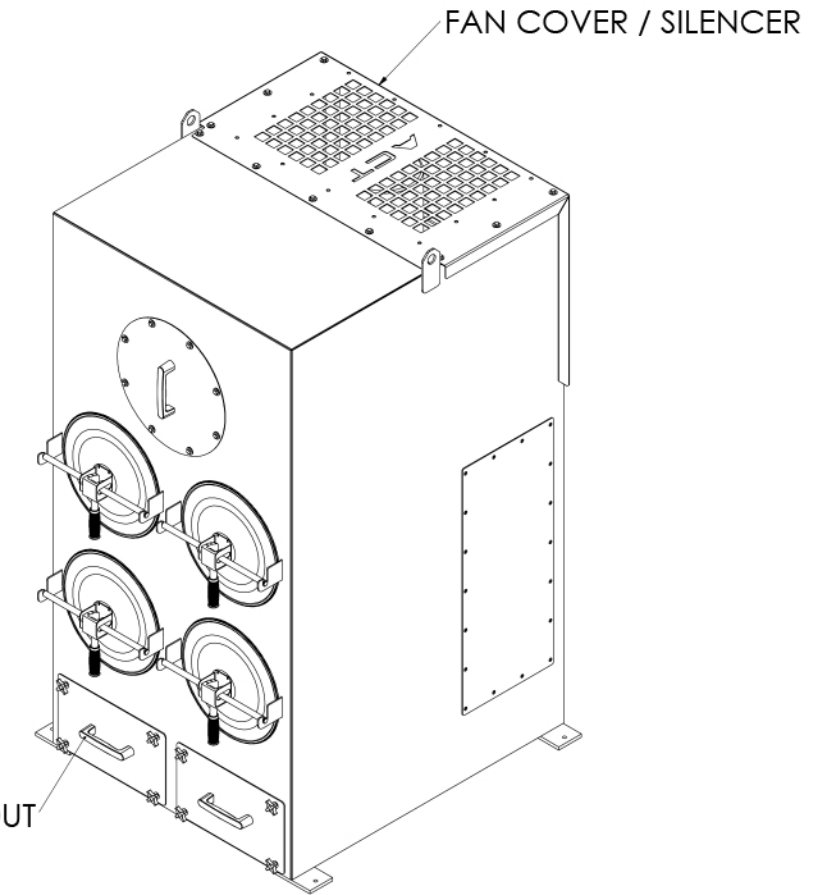
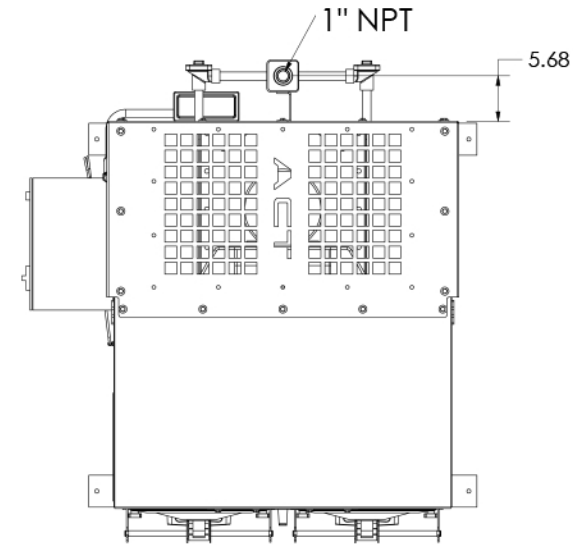
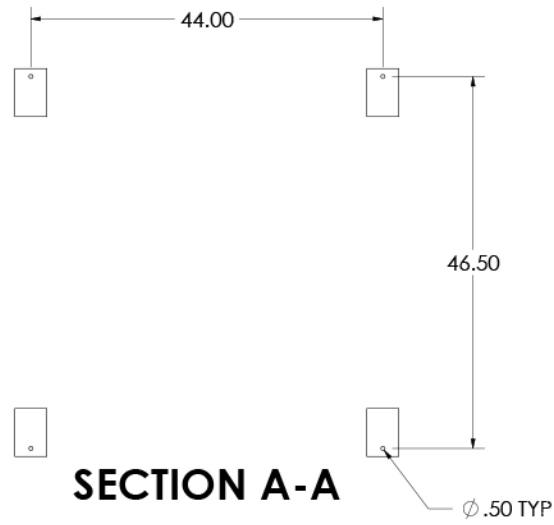


Baghouse
Systems



Booth
Series





ACCESSORIES

- INTERNAL, SILENCED, 2000 CFM @ 9 S.P. FAN
- INTEGRATED INLET SPARK TRAP
- PRE-WIRED, MOUNTED CONTROLS

NOTES:

- COLLECTOR WEIGHT: 1700 LBS

REV	ECN	DATE	BY	CHK	DESCRIPTION
-	-	-	-	-	-

A.C.T.
DUST COLLECTORS
Air Cleaning Technology, Inc.
13310 Industrial Park Blvd. Suite 195 - Plymouth, MN 55441

DRAWN BY	JHK
DATE	2/3/17
CHKD BY	-
DATE	-
SHOP NO.	-
SCALE	1:24

TITLE				
ACT WeldPack 4				
DRAWING NO.	SHEET	ITEM	REV.	
80440	1 OF 1	-	-	